

**Silicon NPN Darlington Power Transistors**

**2SD2494**

**DESCRIPTION**

- With TO-3PML package
- Complement to type 2SB1625

**APPLICATIONS**

- Audio,
- Series regulator
- General Purpose

**PINNING**

PIN	DESCRIPTION
1	Base
2	Collector
3	Emitter

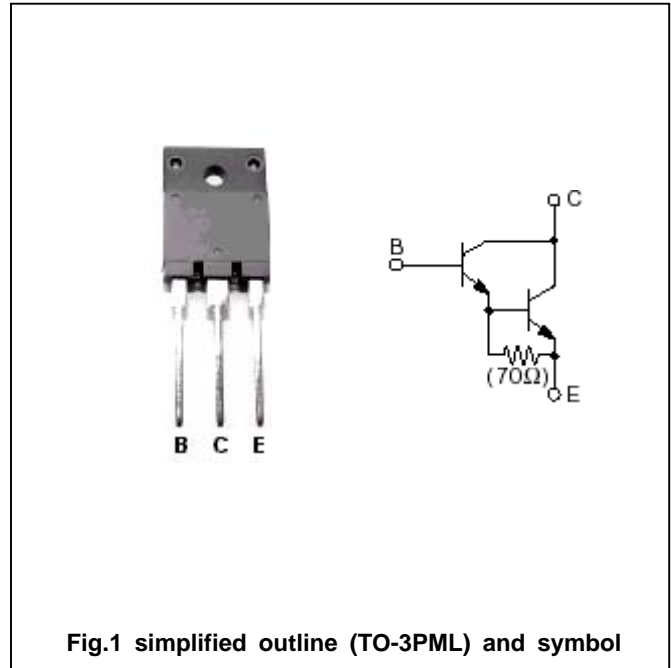


Fig.1 simplified outline (TO-3PML) and symbol

**Maximum absolute ratings(Tc=25 )**

SYMBOL	PARAMETER	CONDITIONS	VALUE	UNIT
V <sub>CB0</sub>	Collector-base voltage	Open emitter	110	V
V <sub>CEO</sub>	Collector-emitter voltage	Open base	110	V
V <sub>EBO</sub>	Emitter-base voltage	Open collector	5	V
I <sub>C</sub>	Collector current		6	A
I <sub>B</sub>	Base current		1	A
P <sub>C</sub>	Collector power dissipation	T <sub>C</sub> =25	60	W
T <sub>j</sub>	Junction temperature		150	
T <sub>stg</sub>	Storage temperature		-55~150	

## Silicon NPN Darlington Power Transistors

## 2SD2494

## CHARACTERISTICS

T<sub>j</sub>=25 unless otherwise specified

SYMBOL	PARAMETER	CONDITIONS	MIN	TYP.	MAX	UNIT
V <sub>CEO</sub>	Collector-emitter breakdown voltage	I <sub>C</sub> =50mA; I <sub>B</sub> =0	110			V
V <sub>CEsat</sub>	Collector-emitter saturation voltage	I <sub>C</sub> =5 A; I <sub>B</sub> =5m A			2.5	V
V <sub>BEsat</sub>	Base-emitter saturation voltage	I <sub>C</sub> =5 A; I <sub>B</sub> =5m A			3.0	V
I <sub>CBO</sub>	Collector cut-off current	V <sub>CB</sub> =110V I <sub>E</sub> =0			100	μ A
I <sub>EBO</sub>	Emitter cut-off current	V <sub>EB</sub> =5V; I <sub>C</sub> =0			100	μ A
h <sub>FE</sub>	DC current gain	I <sub>C</sub> =5A ; V <sub>CE</sub> =4V	5000			
f <sub>T</sub>	Transition frequency	I <sub>C</sub> =0.5A ; V <sub>CE</sub> =12V		60		MHz
C <sub>OB</sub>	Output capacitance	I <sub>E</sub> =0; V <sub>CB</sub> =10V; f=1MHz		55		pF

## Switching times

t <sub>on</sub>	Turn-on time	I <sub>C</sub> =5A; R <sub>L</sub> =6 I <sub>B1</sub> =-I <sub>B2</sub> =5mA V <sub>CC</sub> =30V		0.8		μ s
t <sub>s</sub>	Storage time			6.2		μ s
t <sub>f</sub>	Fall time			1.1		μ s

◆ h<sub>FE</sub> classifications

O	P	Y
5000-12000	6500-20000	15000-30000

Silicon NPN Darlington Power Transistors

2SD2494

PACKAGE OUTLINE

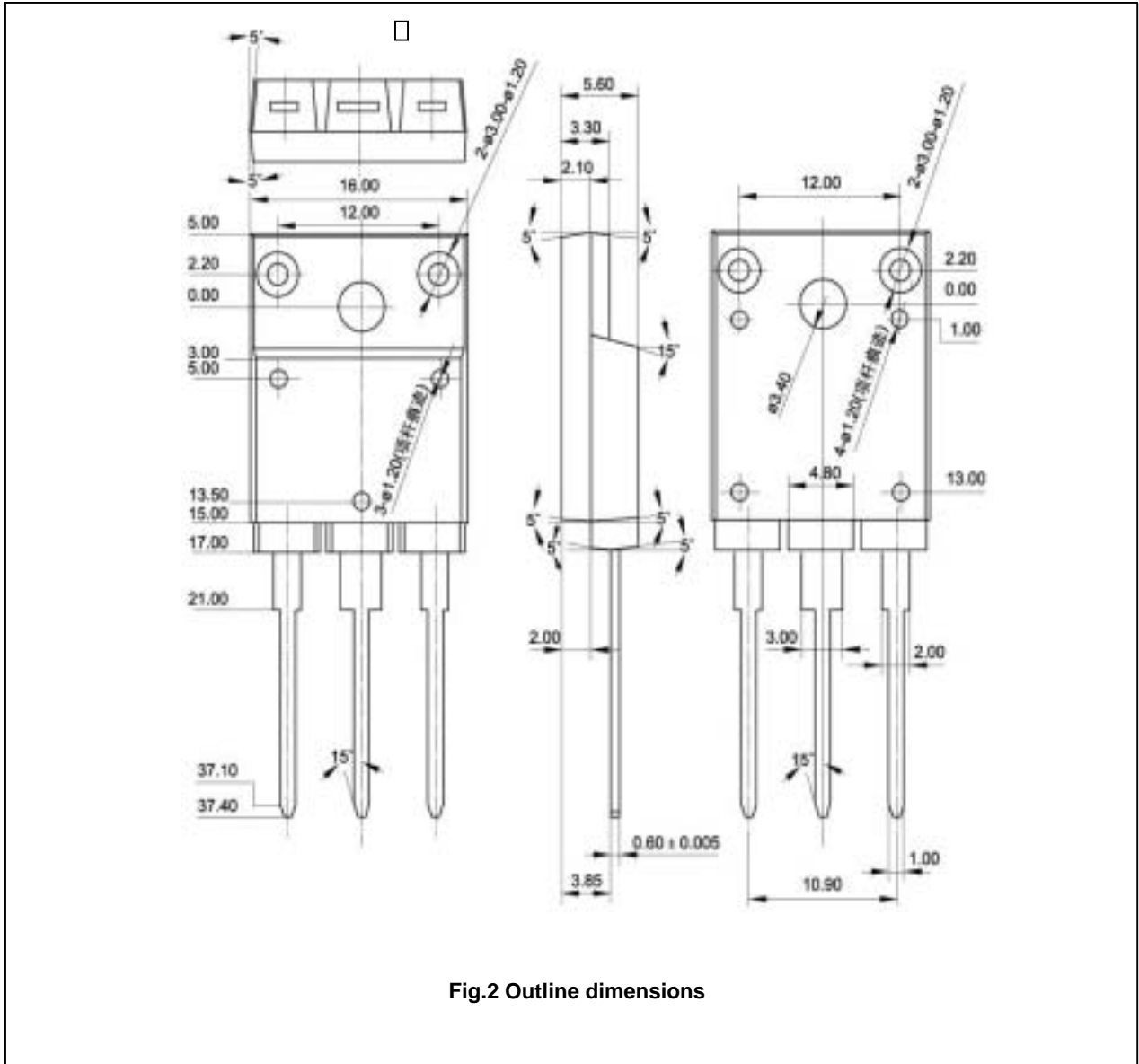


Fig.2 Outline dimensions