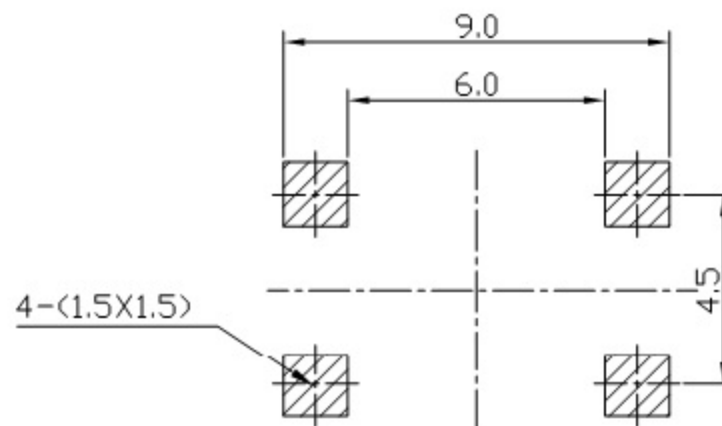
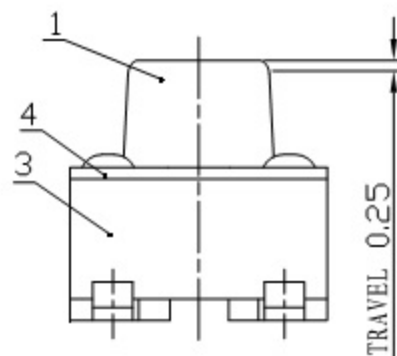
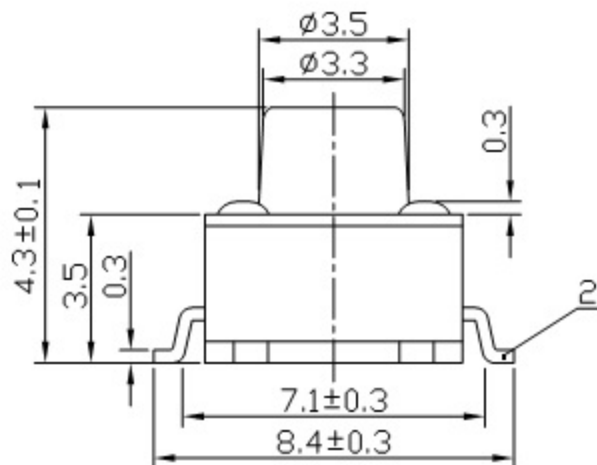
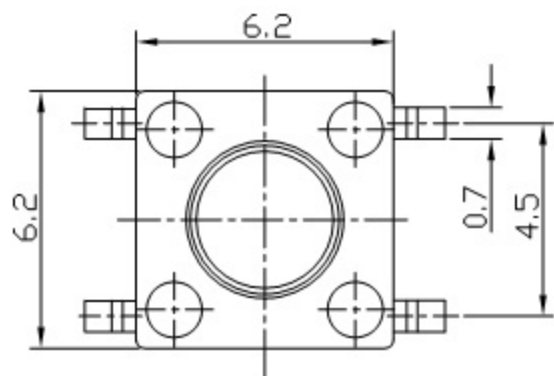
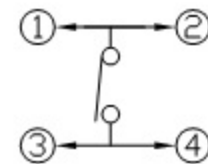


ITEM:IT-1102WC (6x6x8)



P. C. B LAYOUT



SCHEMATIC

RUI CHI

TITLE :

MODEL :



TOLERANCE
 ≤ 1.5mm ±0.1
 > 1.5mm ±0.2
 ANGLE TOL.
 ±2°

NO.	PART NAME	MATERIAL	QTY.	FINISHING
5	CONTACT	SUS	1	Ag CLAD
4	COVER	IRON STRIP	1	Ni PLATED
3	CASE	NYLON	1	BLACK
2	TERMINAL	BRASS STRIP	4	Ag PLATED
1	KNOB	NYLON	1	BLACK

UNIT	DVN.	DATE
MM		
SCALE	CHK'D	DATE
5 : 1		
VERSION	APPD.	DATE
01		